

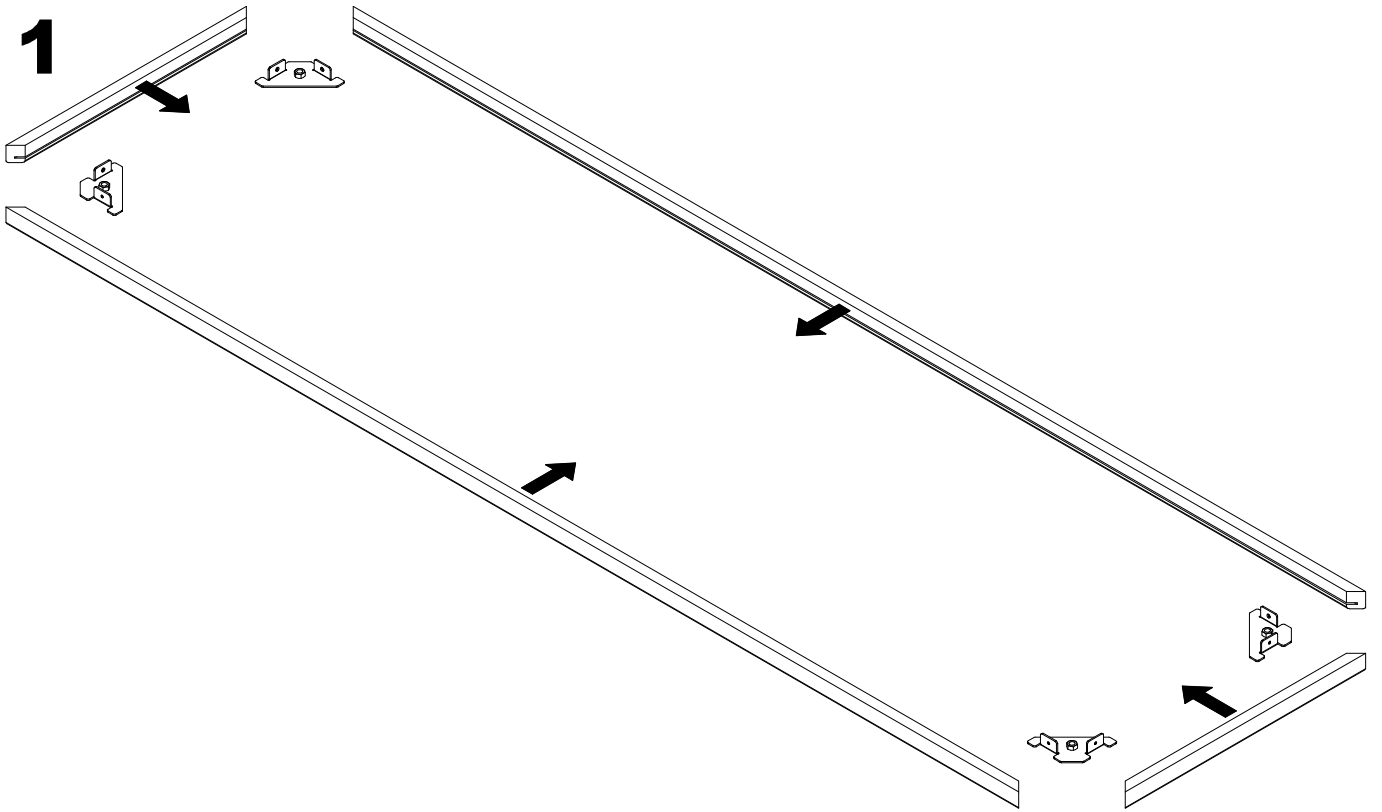


THEUNS
Belgian oak furniture

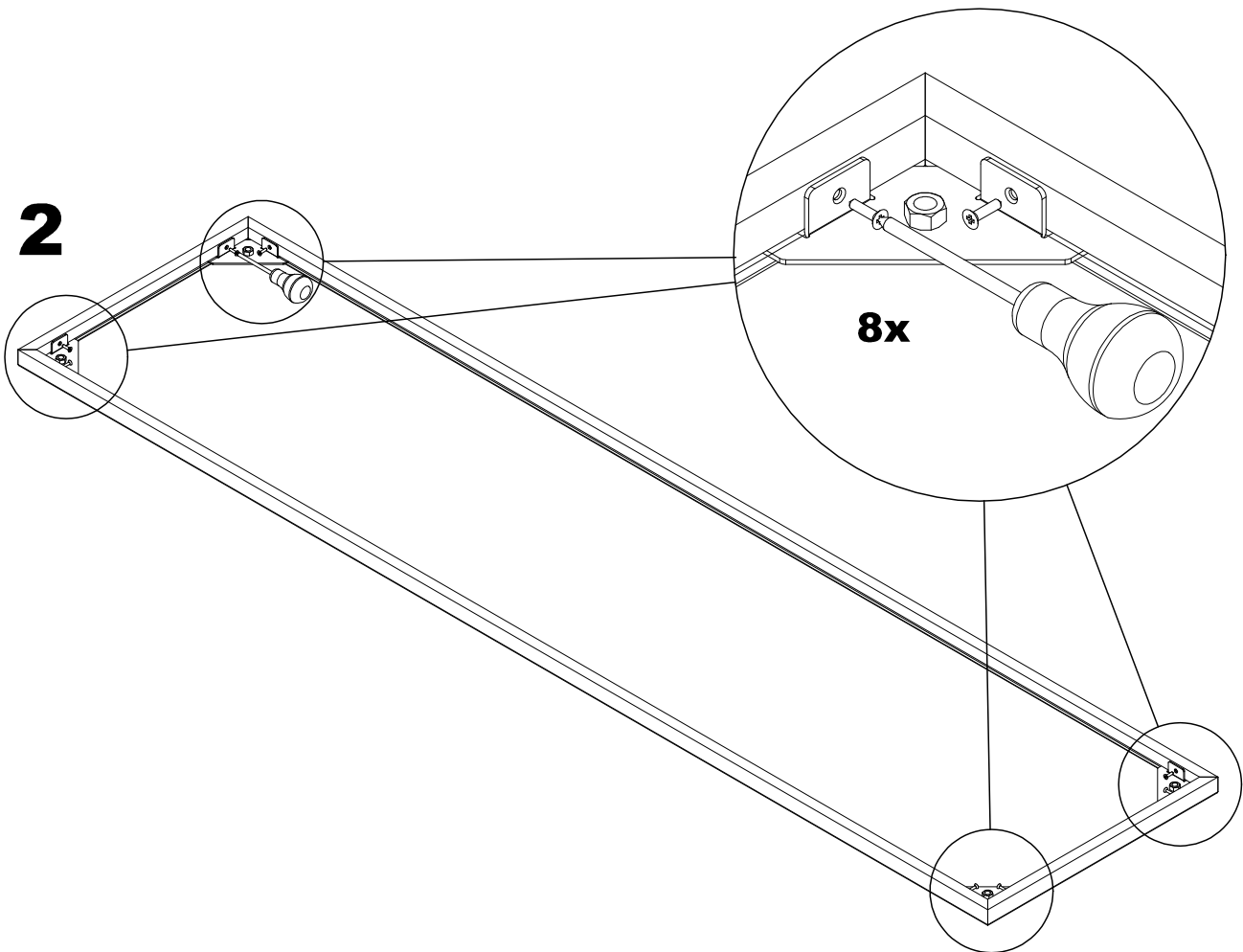
IZOLA

INSTRUCTION: Montage van de plinten
Montage des plinthes
Mounting the skirting boards
Montage der Sockelleisten

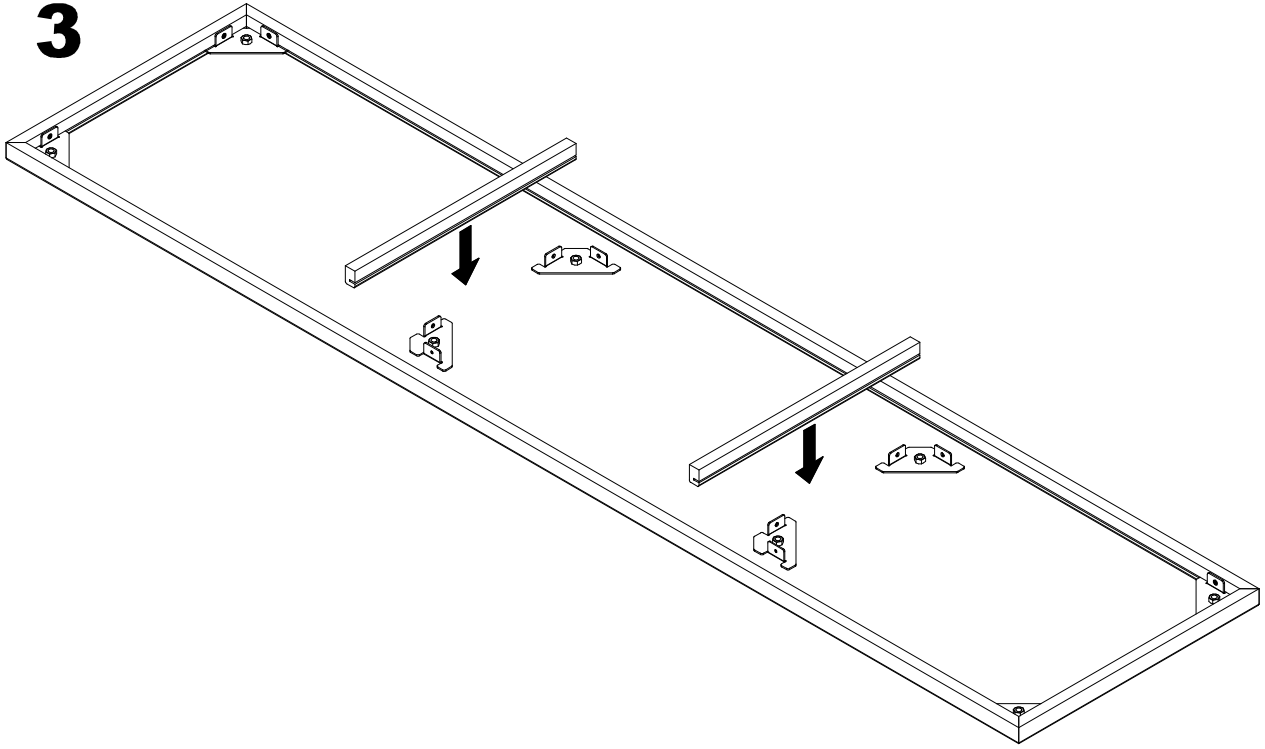
1



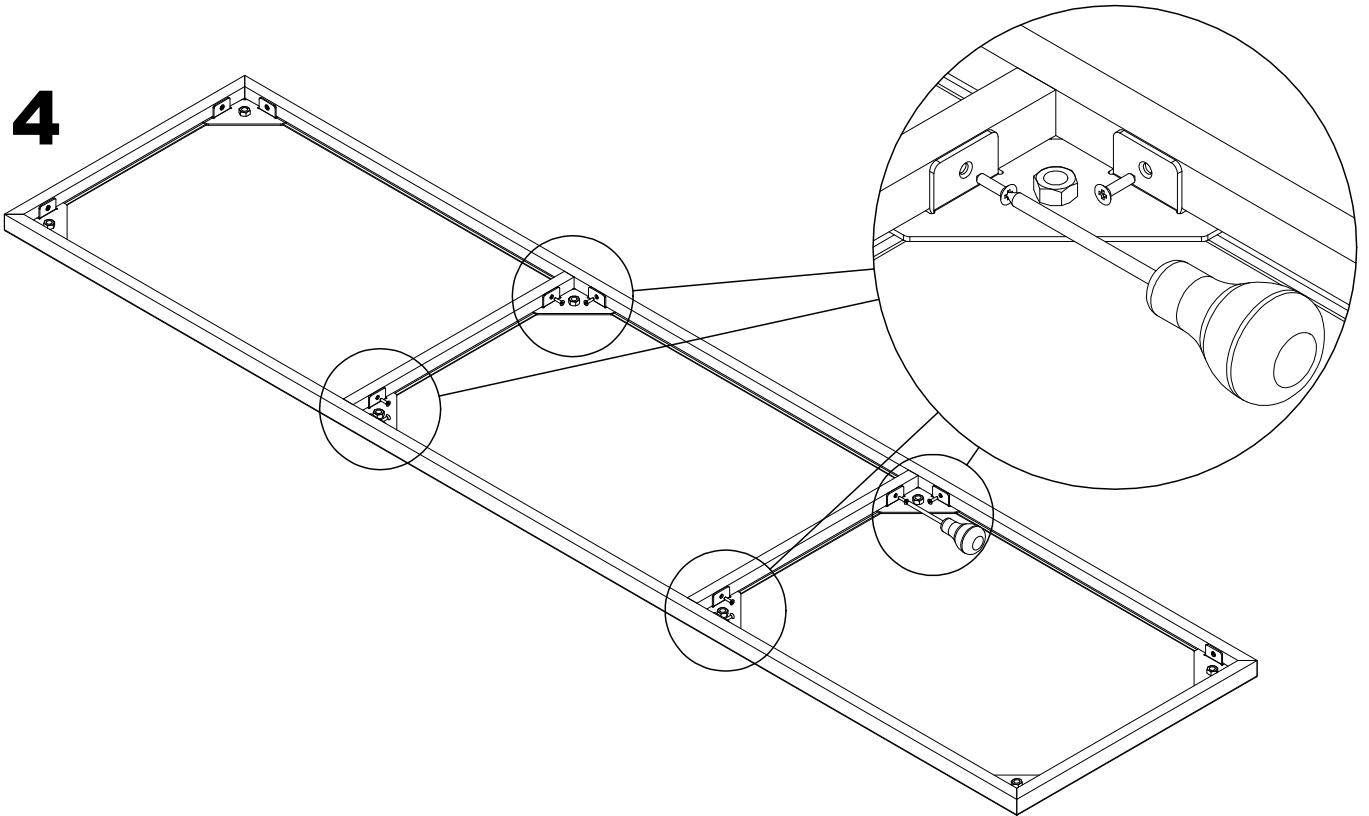
2



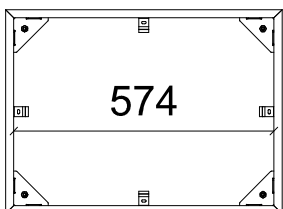
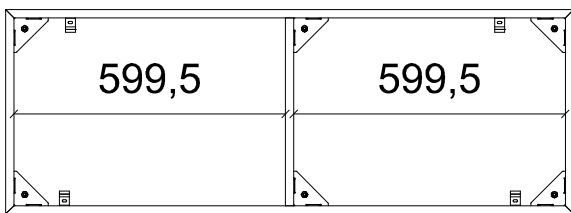
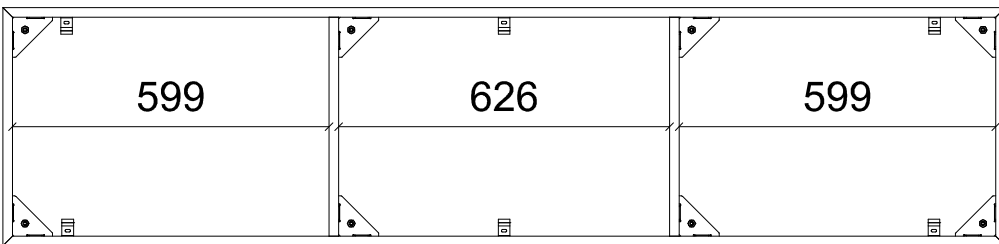
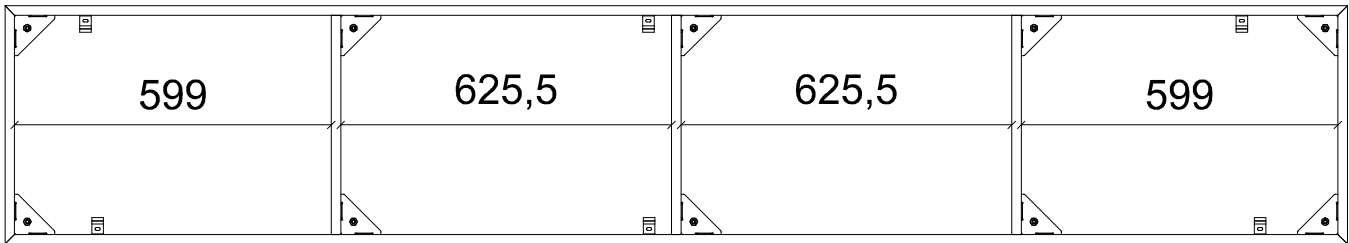
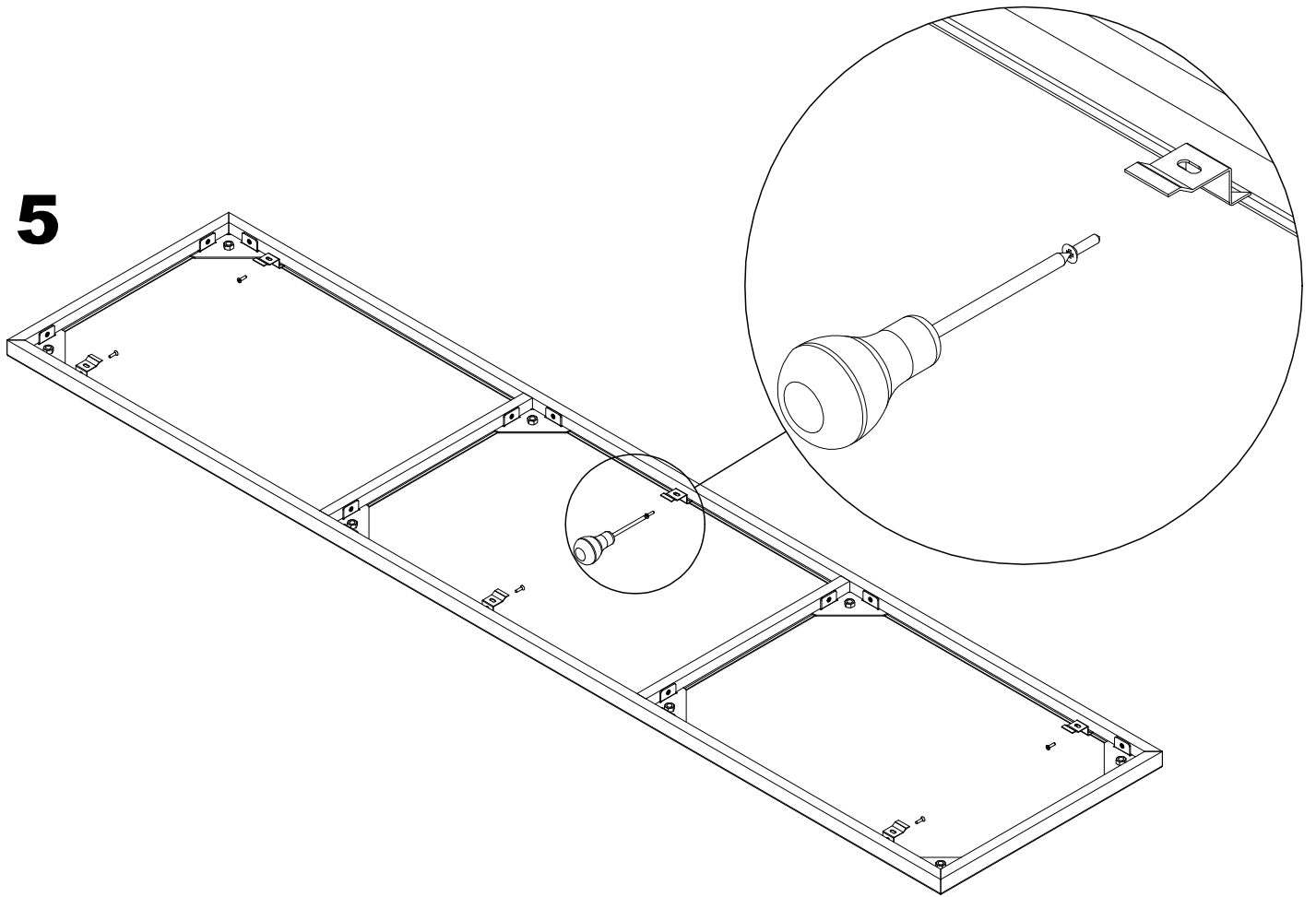
3



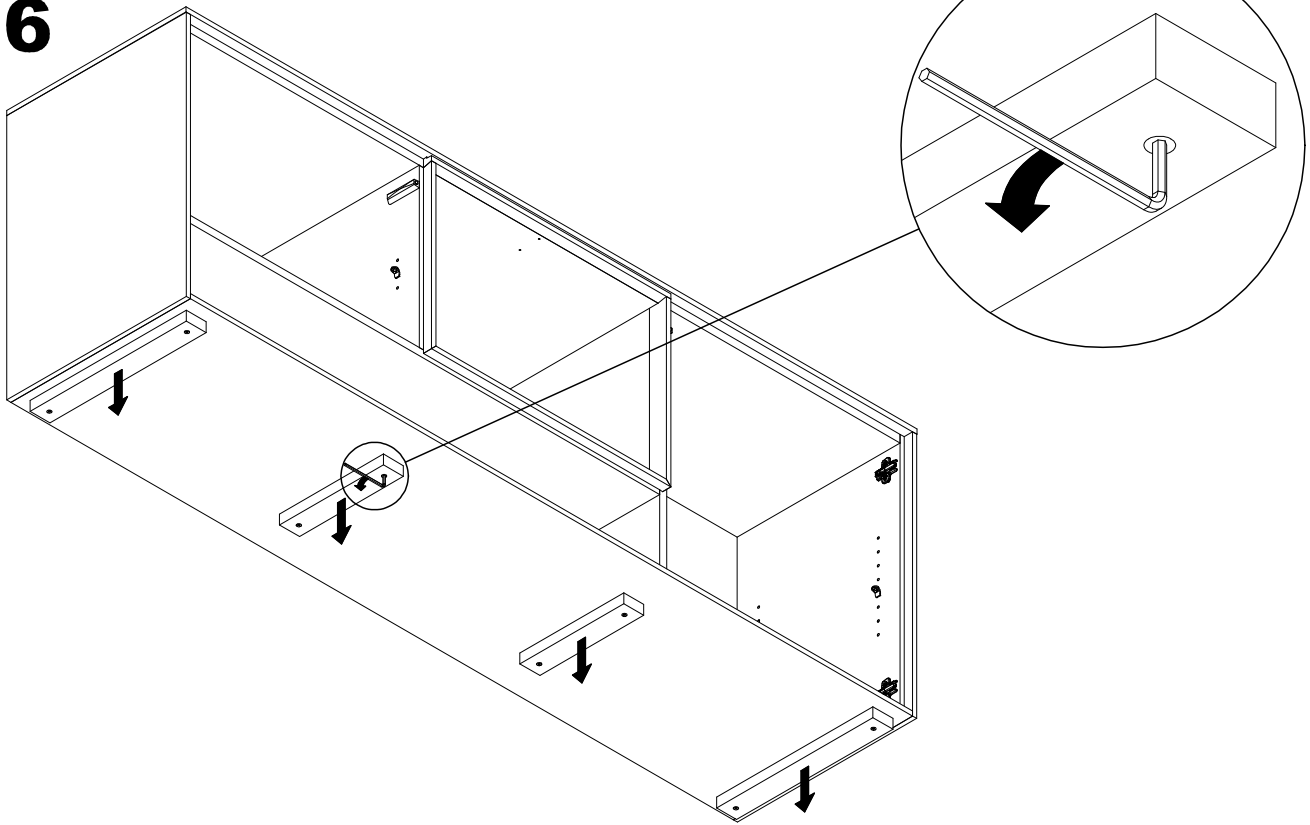
4



5



6



7

